

### Overview:

The RWP LED Wallpack is a high-performance LED wallpack designed to replace existing wall packs up to 400W metal halides. The RWP is fully gasketed and constructed from die cast aluminum. It features a tempered glass lens, 6061 aluminum LED heat sink and industry-leading Philips LEDs. The RWP LED is a smart lighting solution for multiple lighting needs.

Mounting – Cast in template for mounting directly over 4" recessed outlet box or use ½" surface conduit.

### Application:

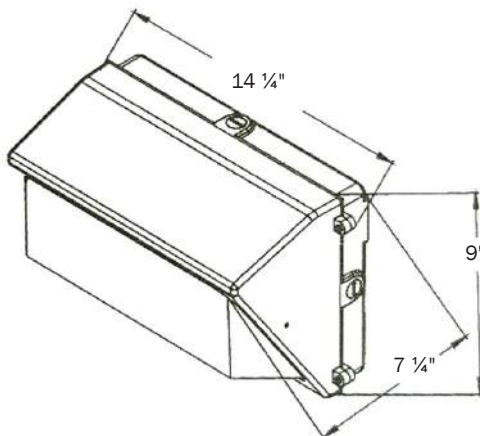
- General Area Lighting
- Wall Mount Lighting
- Security Lighting

### Features:

- Minimum 50,000 hour chip life at 55 °C constant temperatures under IESNA conditions
- Philips Luxeon H.L. LEDs
- ½" 6061 US aluminum heat sink with emissive coating for maximum heat dissipation
- Philips Advance Driver (120/277V)
- UL Listing Pending
- 5 year limited warranty

| MODEL      | DESC.                 | COLOR TEMP. | WATTS | LUMENS |
|------------|-----------------------|-------------|-------|--------|
| RWP-30-LED | 30W RWP LED Wall Pack | 5,000K      | 30    | 3,302  |
| RWP-60-LED | 60W RWP LED Wall Pack | 5,000K      | 60    | 6,604  |

### Dimensions:



RWP LED in Use

